



ALLPRONIX®

www.allpronix.com
sales@allpronix.com
Tel : 011 795 9500

Lens Antenna Radar Level Gauge
ANL-8260AG2

V18.0102



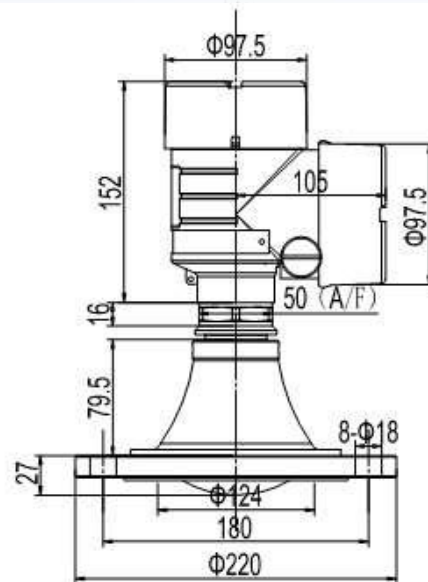
Product introduction/ Application recommendation

- ANL-8260AG2 is specially designed for industrial processes with coagulant, sediment, adhesion, steam tank or dust adhesion, etc.
- Compared to other products, AG2 doesn't need air purging
- It is suitable for heavy dust, steam and other extreme conditions, as well as special process storage tanks with stirring and heating rod.

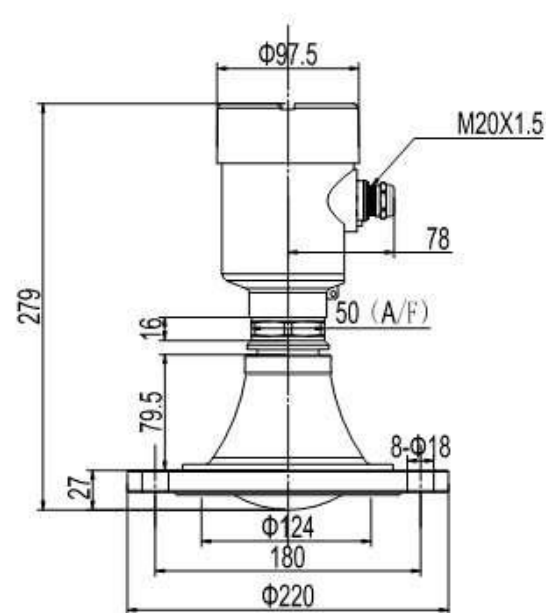
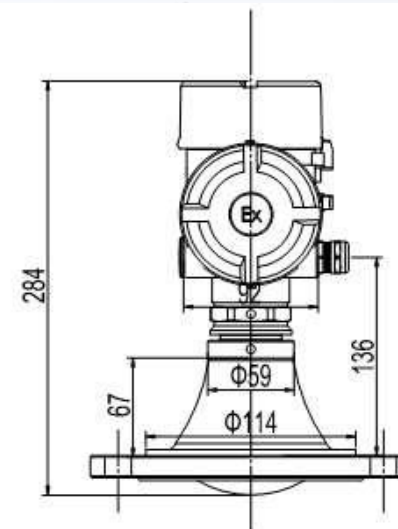
Specification

Frequency	26GHz, ± 250 MHz, with 52GHz harmonic frequencies
Range	0.45 ~ 30M or 0.6 ~ 70M
Resolution	0.1m
Precision	$\leq \pm 15$ mm
Beam angle	8°
DK range	2.0~100, adapt to medium viscosity <3000cp
Power supply	2-wired,16~36VDC(max<45VDC) /4-wired 9~36VDC /110~250VAC, 50Hz/60Hz(AC)
Communication	4-20mA / HART / MODBUS / PROFIBUS(Depending on the sequence of specific models)
Signal Output	4~20mA (with HART/MODBUS/PROFIBUS*protocol) or RS-485
Control output	4-20mA or RS485 ; (Optional 1 route 250VAC/24VDC, 5A relay output/configurable alarm range)
Error Output	4mA、 22mA and 20.5mA(optional)
Site operation/programming	128x64dots LCD / 4 key, Configure the upper machine to set up software/or wi-fi/BT + mobile APP/or SIMBA tank side table
Process temperature/humidity	-40 ~ 110° C, -40 ~250° C(can add a flange with upper radiator pipe); $\leq 95\%$ RH
Casing	aluminium alloy,single cavity or double cavity (220VAC only with double cavity)
Antenna Type	AG type convex lens Ku antenna , PTFE /Nylon Polyamide
Process pressure	-1 ~ 10MPa, -10~20MPa(can add reinforcement flange structural parts)
Dimension	220mm x 220mm x 278mm(with DN100 flange)
Cable entrance	M20x1.5($\phi 5.9$ mm)
Recommended cable	AWG18 or 0.75mm ²
IP rating	IP67
Anti-explosion rate	Ex IA IIC T6 GA
Installation	\geq DN100 Flange
N.W/G.W	3.51Kg / 4.00Kg
Carton Meas.	L x W x H 435mm x 275mm x 275mm

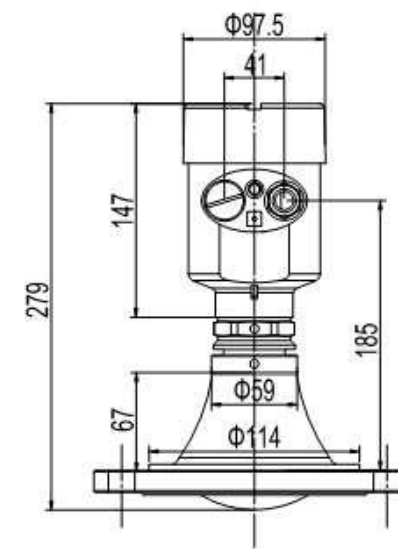
Dimension & Installation drawing



Double Cavity Shell Structure(dc and explosion-proof products only)



Single Cavity Shell Structure(dc and explosion-proof products only)



Product selection and ordering code



ANL-8260AG2	1	2	3	4	5	6	7	NOTE
	S							4-20mA
	H							4-20mA with HART
	P							PROFIBUS PA
	M							RS485 with ModBus
		AC						110~250VAC 50Hz/60Hz
		DC						24DCV 2 wired (Do not configure wi-fi)
		D1						24DCV 4 wired
			03M					range 30m
			07M					range 70m
				Y1				with 1 relay alarm output
				W1				with Wi-Fi App
				YW				with 1 relay alarm output & Wi-Fi App
				N				NO
					D10			DN 100
					D15			DN 150
				D20			DN 200	
					TA			SS 304
					TB			SS 316
					NL			PA
					PT			PTFE
						S		-40~100°C
						H		-40~250°C
Example :								
ANL-8260AG2-H-AC-03M-Y1-D10-TA-S							4-20mA/HART, 110~250VAC, 30M, 1relay, DN100, SS304, -40~100°C	

Application Notice



- If ANL-8260AG2 is applied to the acid corrosive industrial environment, the antenna shall be purchased with PTFE .
- The current output in the alarm state will change to 22mA when the output of the 2-wire system is set to the limit alarm.
- In the industrial environment of strong dust, high humidity and high humidity, it is not necessary to regularly clean/purge within 60 meters. More than 60 m is recommended to increase the antenna blowing device.

Application Case 1

- The ANL-826oAG2 was applied to the case of Wet Coke Quenching Process

The 60m coke carbon bit measurement, due to the wet quenching, the working condition is characterized by high wet dust hanging material, the vapor concentration is too large to measure.

AG2 is an economy effective solution to the effect of wet quenching and wet dust hanging and the condensation of concentrated steam. Compared with other radars, there is no need to blow and sweep.



Application Case 2

- **ANL-8260AG2** is applied to the measurement case of cement factory

The condition of 50m limestone is characterized by high dust and hanging material. The concentration of dust is too heavy to measure.

AG2 is a good solution to dust hanging and powder materials, and it's quite stability and reliability while measuring, there is not necessary to add the air pulse.





ALLPRONIX®

www.allpronix.com