



OxySense

Dissolved Oxygen Meter

The OxySense range of online DO meters utilises the very latest and best optical DO sensors available in the world today. They are optical luminescent devices which are extremely resistant to abrasion, extremely stable, and have greatly reduced maintenance and whole life costs.

- **No chemicals or moving parts**
- **Optional self-cleaning sensor and self-verification**
- **Stable and reliable - excellent process control**
- **Suitable for all Dissolved Oxygen applications**
- **Up to 36 months between DO meter maintenance**
- **Up to 36 months between DO meter calibration**



"Simply the best DO sensor I've used"

Jon Shan, USA

The OxySense optical DO sensors are available with different controllers giving you the same great performance with different communication, display, and control options. With the OxySense range of online DO meters, you get everything that you need - and nothing that you don't. For aeration lane blower control and oxidation ditch dissolved oxygen control, the OxySense offers unrivalled performance.

CRONOS® OxySense



- High Quality - Lowest Cost
- Multilingual
- High resolution grayscale display
- 9 buttons for easy navigation
- Graphing and datalogging
- Enclosure; wall, panel, pipe or pole mounting. IP65/Nema 4x.
- Options:
 - Modbus RS485/LAN
 - Profibus
 - Up to 2 sensors
 - PID/flow proportional controls
 - Remote sensors
 - Colour display
 - Downloadable data logs

CRUIUS® OxySense



- Highest Quality - Low Cost
- Multilingual
- High resolution colour display
- Intuitive user interface
- Customisable home pages
- All CRONOS® options plus:
 - Up to 4 sensors
 - Remote access via LAN
 - Remote access via GPRS
 - Expandable to 16 sensors

For more information please see the individual brochures for CRONOS® and CRUIUS®

Sensor Selection

OxySense



- Submersion mounting
- Ideal for unpressurised applications
- Suitable up to depths of 210m (25°C)
- Acetyl construction
- 1¼" NPT mounting thread
- T₉₀ <45 seconds

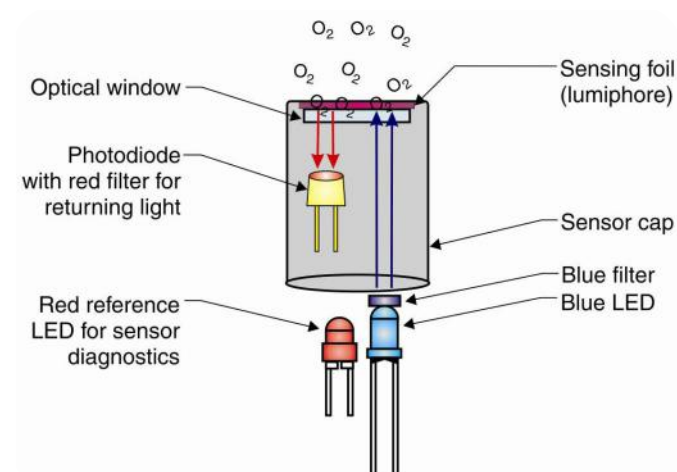
OxySense Titan



- Titanium construction
- Flow cell mountable
- T₉₀ <45 seconds

Principle of Operation

The sensing element (lumiphore) is activated, or excited when illuminated with a blue light. When activated, the lumiphore then emits red light in an intensity that is inversely proportional to the amount of oxygen present in the water. There is also a time delay between the peak emission of blue light and peak response of fluoresced red light. The amount of delay is inversely proportional to the amount of oxygen present. This time delay can be expressed as a phase shift between the wave patterns of incident blue light and the fluoresced red light. This is in turn reported by the electronics into a ppm or mg/l reading of Dissolved Oxygen.



The advantages of this technology are that it is more stable than traditional electrochemical devices and far more resistant to abrasion. By using the state of the art sensor and electronics together the reliability, accuracy, and flexibility of the OxySense DO Meter is far superior to that of its competitors.

Auto-clean and Auto-verification

The OxySense Meter is the first of its kind in the world to offer automatic in situ sensor verification as an option. The OxySense is able to reduce maintenance by automatically checking it's sensor operation at user defined time intervals. Calibration on the In Situ sensor is normally required only once per annum so with the automatic sensor verification option and the self clean option the sensor may not need to be inspected at all for years!



DO sensor fitted with an autoclean end cap

Specification*

RDO® PRO-X Probe Dissolved Oxygen Sensor

Type:	Lumiphore Optical Dissolved Oxygen
Measurand:	Dissolved Oxygen
Range:	0-50mg/l or 0-200% Saturation
Resolution:	0.01mg/l
Accuracy and Precision:	±0.1mg/l from 0-8mg/l (1.25%) and ±0.2mg/l from 8-20mg/l
Stability:	Better than 1% per month (without calibration)
Temperature Range:	>0 up to 50°C
pH Range:	pH2 up to pH10
Salinity Range:	0-42ppt
Temperature Compensation:	Automatically by an integrated thermistor
Permissible Overpressure:	10 bar
Typical Response Limited:	>25mg/l
Response Time:	T ₉₀ <45s, T ₉₅ <60s at 25°C
Zero-point Adjustment:	Not necessary
Calibration:	Manual using water saturated air
Response Check:	Automatic with optional autoclean
Material of Construction:	PVC, silicone, polycarbonate, stainless steel
Dimensions:	Diameter approx. 43.7mm OD, length 203mm
Maintenance intervals:	Manual calibration 3-36 months, lumiphore change 24-48 months
Warranty:	The shorter of 24 months from the date of manufacture or 12 months from date of first use
Interferences:	High levels of hypochlorite

RDO® PRO-X Probe is a registered trademark of In Situ Inc. Boulder Colorado

**All subject to change without notice*